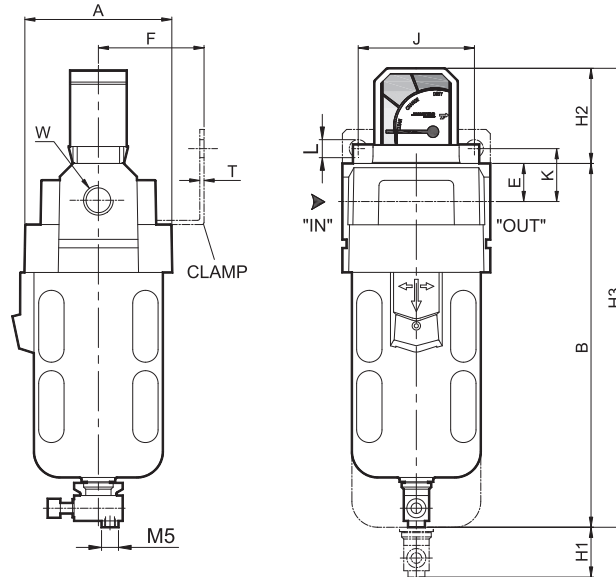


AIR PREPARATION UNITS

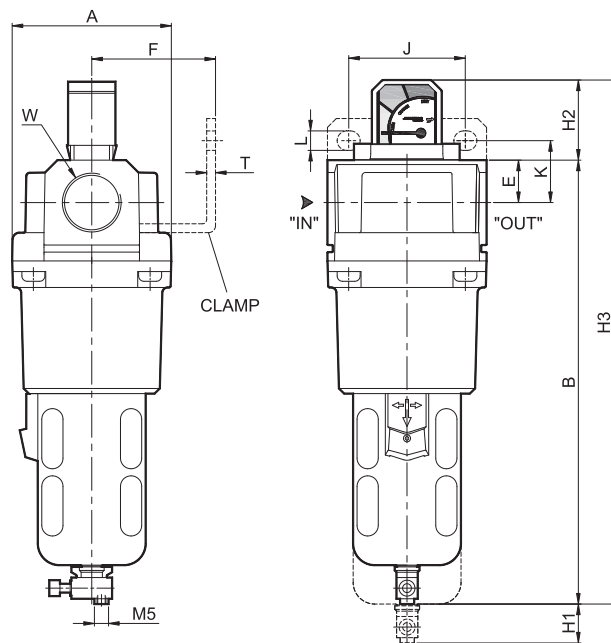
FILTER Series F1-G1

Cat No F1G - 01 - 01 - B

Model F15...-G1



Model F17...-G1



Model	W	A	B	E	K	F	J	L	T	H1	H2	H3
F15...-G1	G1/2	SQ 70	172	18	25	50	55	8.5	2	80	45	217
F17...-G1	G3/4	SQ 90	260	24	35	70	66	11	5	80	45	305
F17...-G1	G1	SQ 90	260	24	35	70	66	11	5	80	45	305

For Details of Clamp see optional accessories Cat No APA - 01 - C

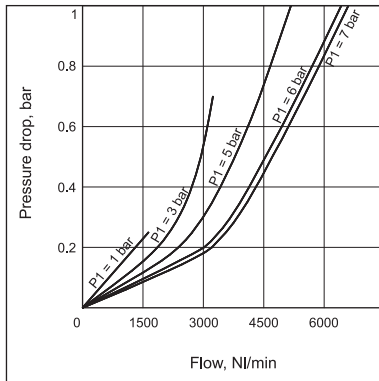
AIR PREPARATION UNITS

FILTER Series F1-G1

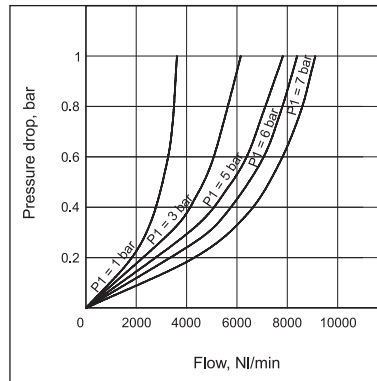
Cat No F1G - 01 - 01 - B

Flow Graphs

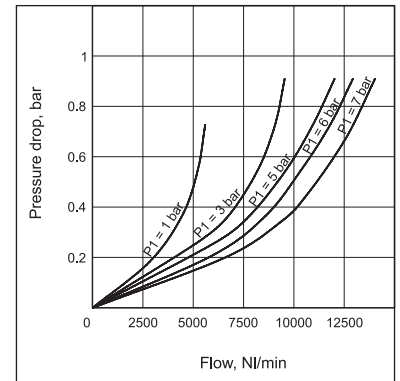
1/2" FILTER



3/4" FILTER



1" FILTER



Flow graphs are for 40µm filtrations only.

How to order

F1	462	3	—	G1
Body & Port size		Filteration in µm		Service Indicator
563	G1/2	0	-	G1
764	G3/4	1	-	Gauge type
765	G1	2	-	
		3	-	
		4	-	
		5	-	

Ordering example:

Filter - 3/4 size (with G3/4 port) with 50µm filter with service indicator : Ordering No: **F17644-G1**

If ordered as 3/4 Filter with service indicator, our standard model **F17643-G1**, with 40µm will be supplied.